



US006468002B1

(12) **United States Patent**
Gregory et al.

(10) **Patent No.:** **US 6,468,002 B1**
(45) **Date of Patent:** **Oct. 22, 2002**

(54) **FOUNDATION SUPPORTING AND LIFTING SYSTEM AND METHOD**

(75) Inventors: **Steven D. Gregory**, Plano, TX (US);
Rick D. Sykes, Durham, NC (US)

(73) Assignee: **Ramjack Systems Distribution, L.L.C.**, Ada, OK (US)

(*) Notice: Subject to any disclaimer, the term of this patent is extended or adjusted under 35 U.S.C. 154(b) by 0 days.

5,120,163 A	6/1992	Holdeman et al.	405/230
5,139,368 A	8/1992	Hamilton et al.	405/230
5,171,107 A	12/1992	Hamilton et al.	405/230
5,176,472 A *	1/1993	Kinder	405/230
5,213,448 A	5/1993	Seider et al.	405/230
5,246,311 A *	9/1993	West et al.	405/230
5,253,958 A *	10/1993	Bellemare	405/232
5,492,437 A *	2/1996	Ortiz	405/230
5,722,798 A	3/1998	Gregory	405/230
5,951,206 A	9/1999	Gregory	405/230
6,079,905 A *	6/2000	Ruiz et al.	405/230
6,152,654 A *	11/2000	Ruiz et al.	405/232

* cited by examiner

Primary Examiner—Heather Shackelford

Assistant Examiner—Frederick L. Lagman

(74) *Attorney, Agent, or Firm*—Baker Botts L.L.P.

(21) Appl. No.: **09/690,792**

(22) Filed: **Oct. 17, 2000**

(51) **Int. Cl.**⁷ **E02D 5/00**

(52) **U.S. Cl.** **405/230; 405/229; 254/29 R**

(58) **Field of Search** 405/230, 229,
405/231, 232; 254/29 R, 133 R

(56) **References Cited**

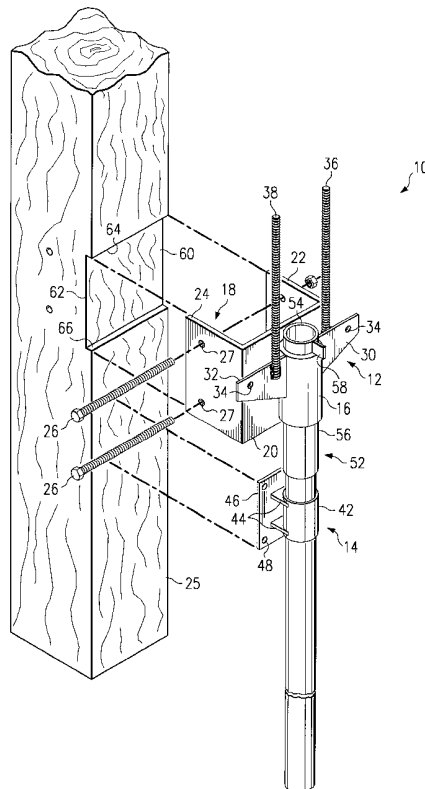
U.S. PATENT DOCUMENTS

4,673,315 A	6/1987	Shaw et al.	405/230
4,695,203 A	9/1987	Gregory	405/230
4,754,588 A	7/1988	Gregory	52/294
4,765,777 A	8/1988	Gregory	405/230
4,911,580 A	3/1990	Gregory et al.	405/230
4,925,345 A *	5/1990	McCown, Jr. et al.	405/232
5,066,168 A	11/1991	Holdeman	405/249

(57) **ABSTRACT**

A system and method for supporting a pier-supported structure includes a pier support assembly for engaging a pier of the structure. The system also includes a guide assembly coupled to the pier support assembly and a piling extending through the guide assembly. The system further includes a clamp assembly adapted to engage the piling upon downward movement of the piling and a drive system coupled to the clamp assembly and the pier support assembly. The drive system is operable to drive the piling downward relative to the pier support assembly until the piling encounters a predetermined resistance.

68 Claims, 8 Drawing Sheets



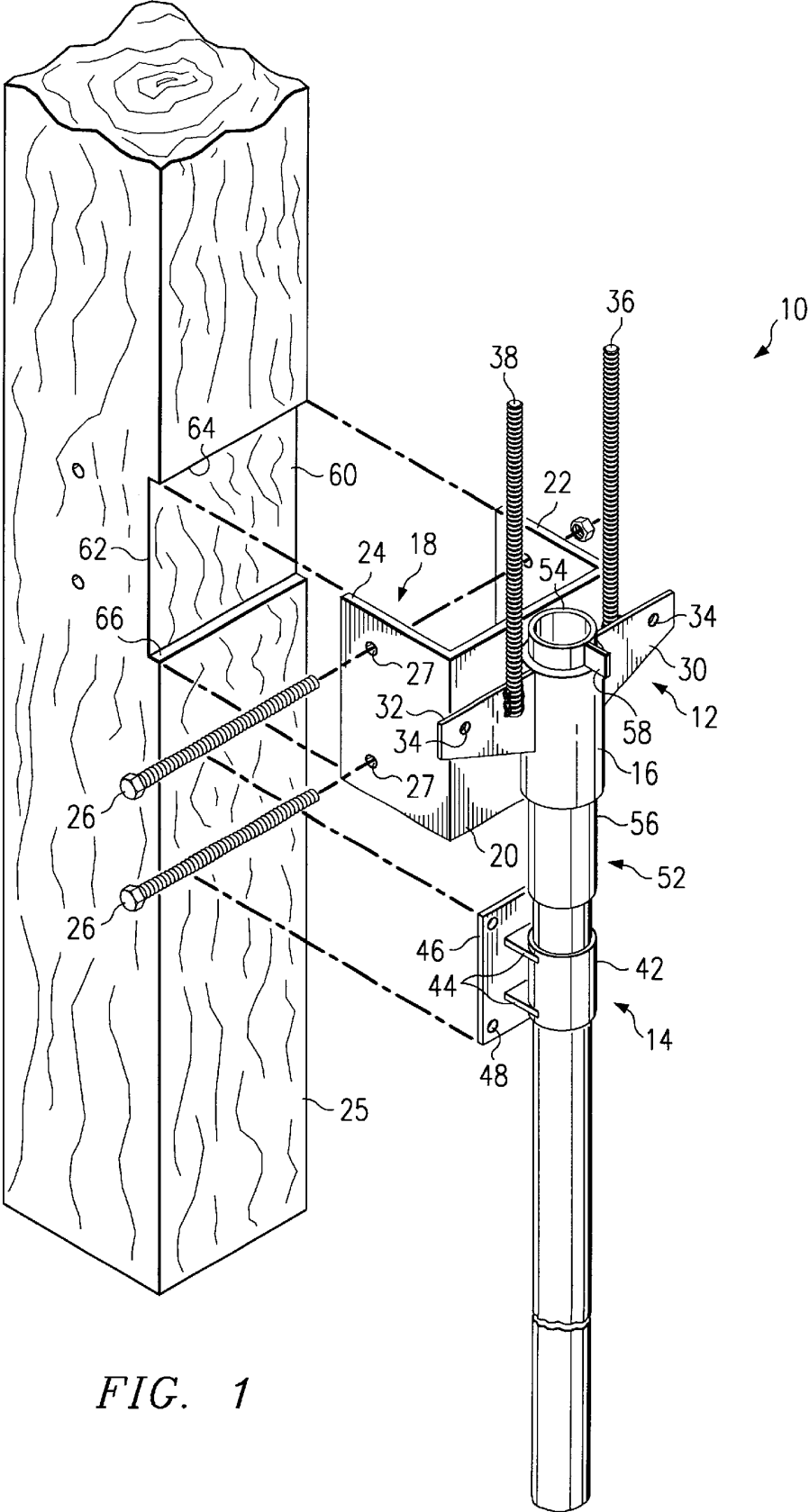
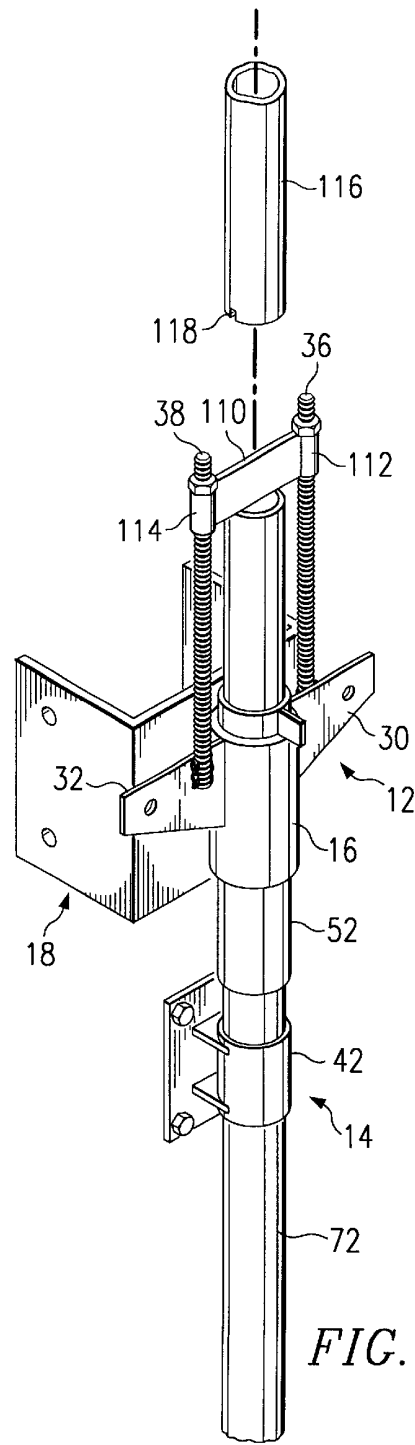
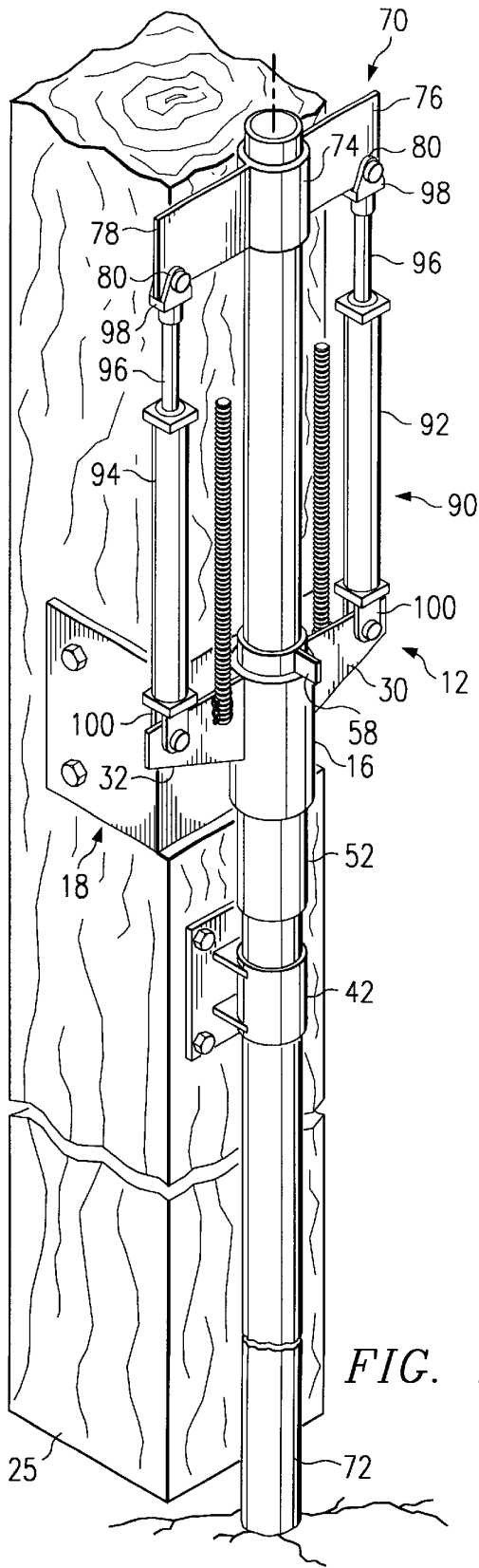
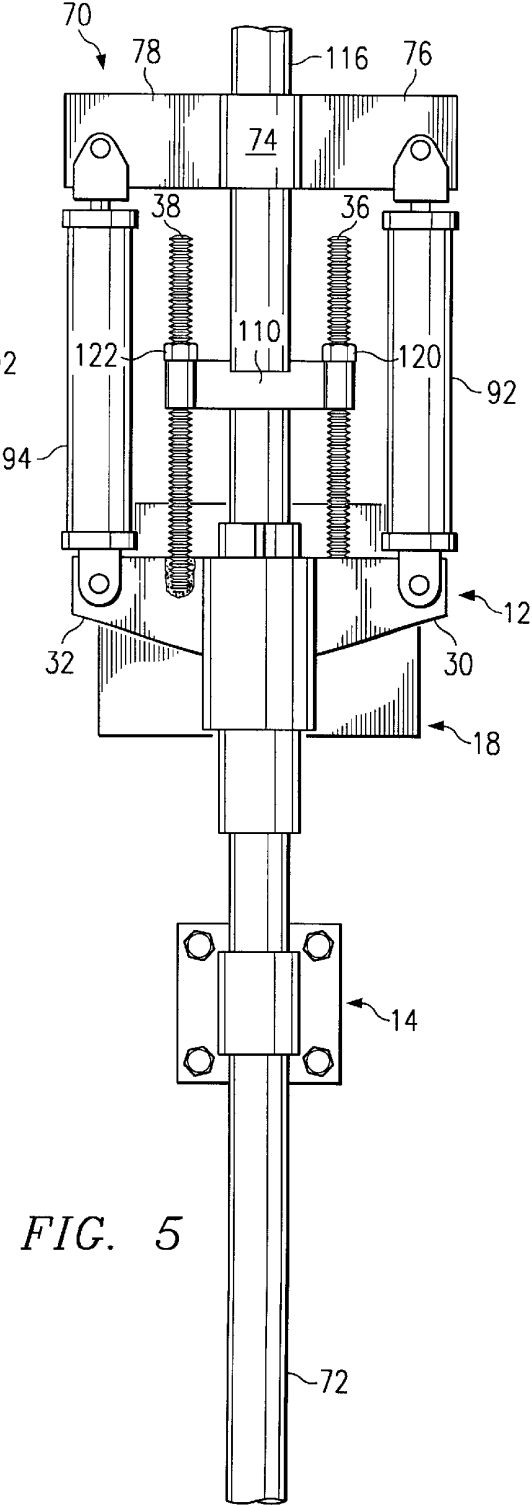
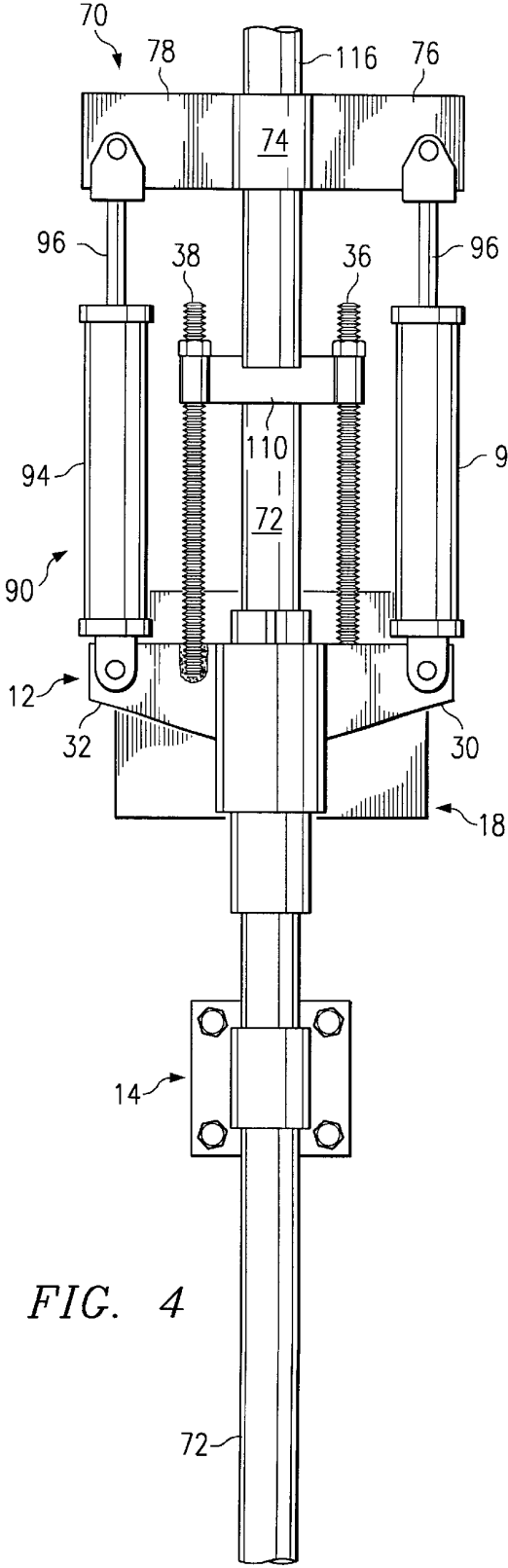


FIG. 1





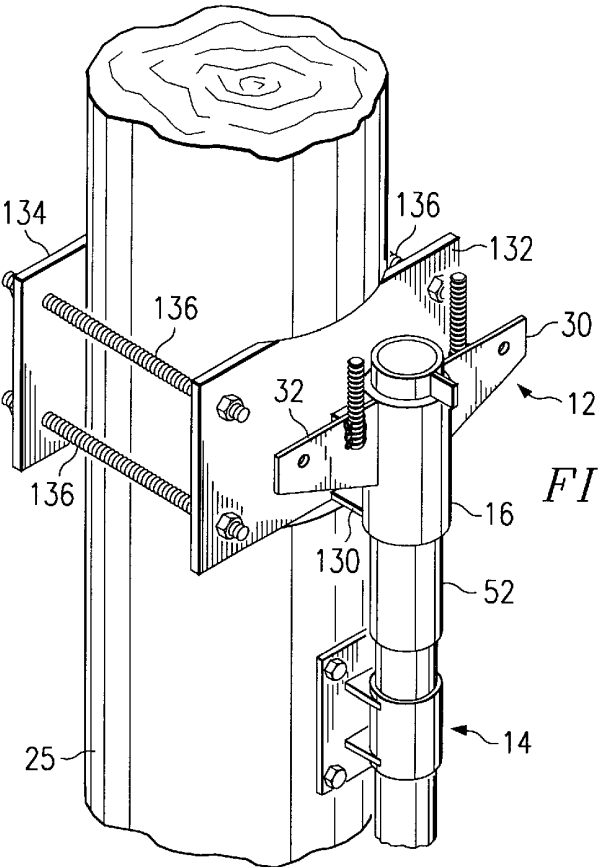


FIG. 6

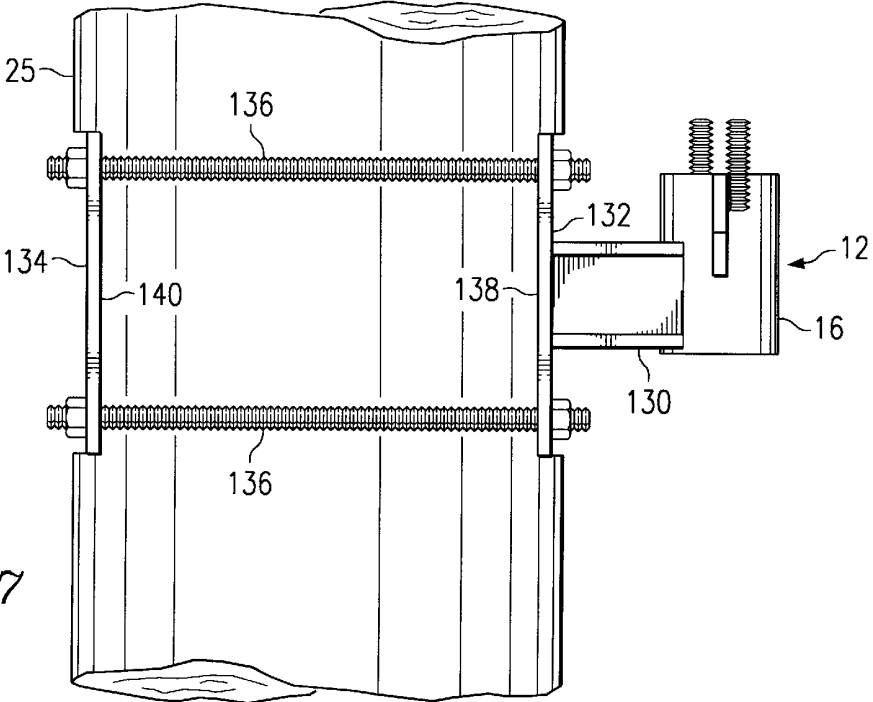
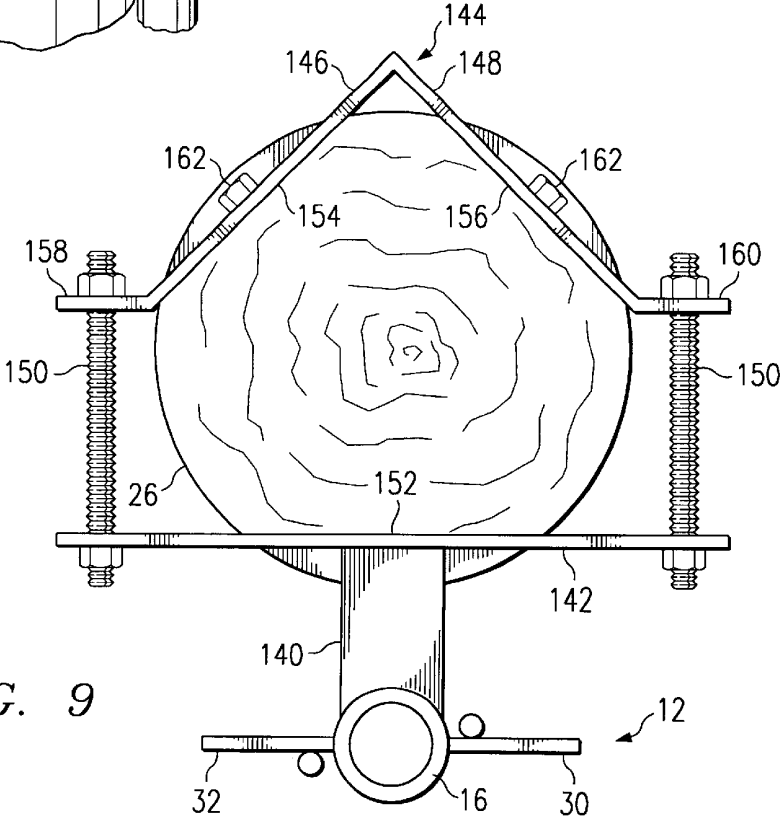
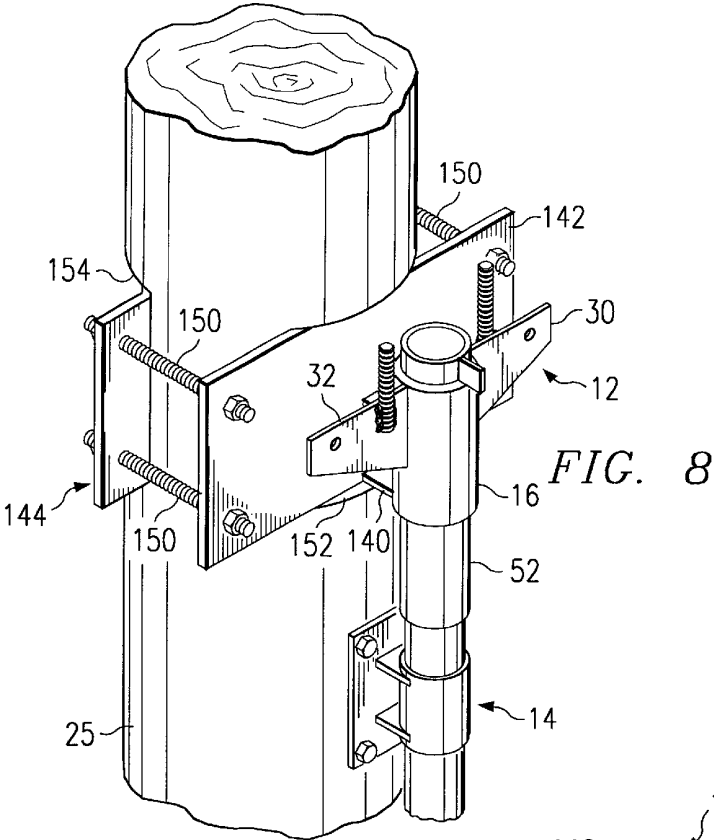


FIG. 7



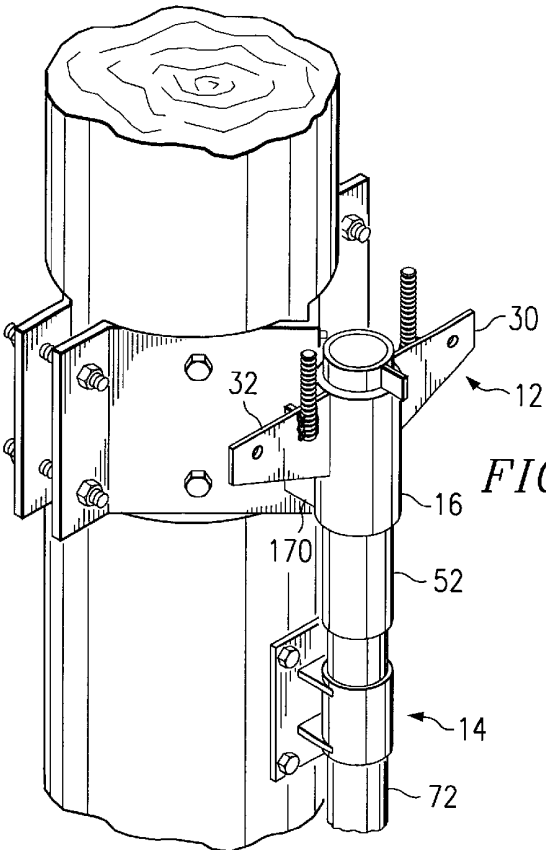


FIG. 10

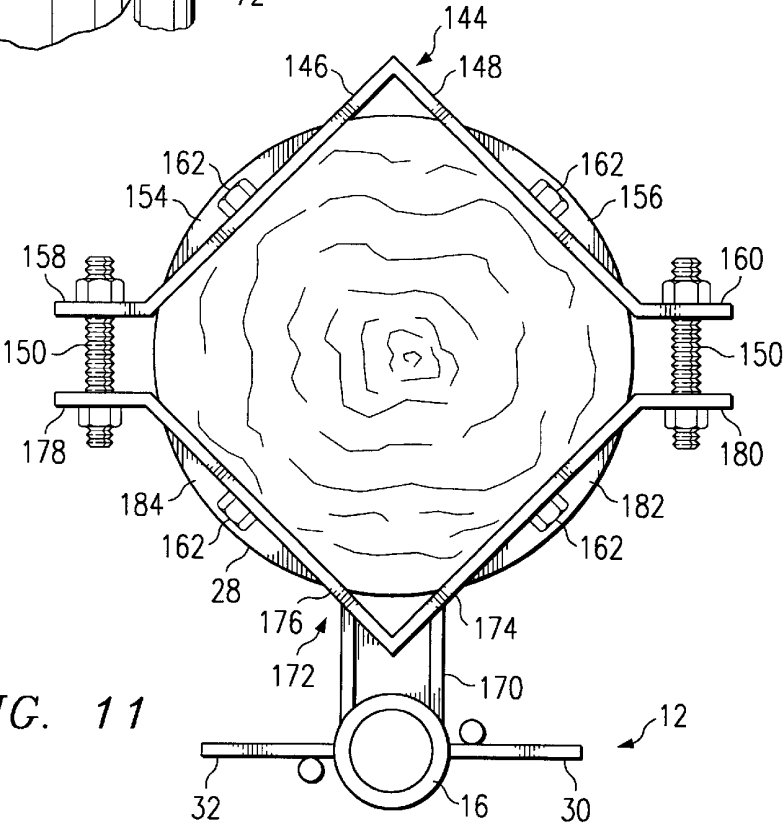


FIG. 11

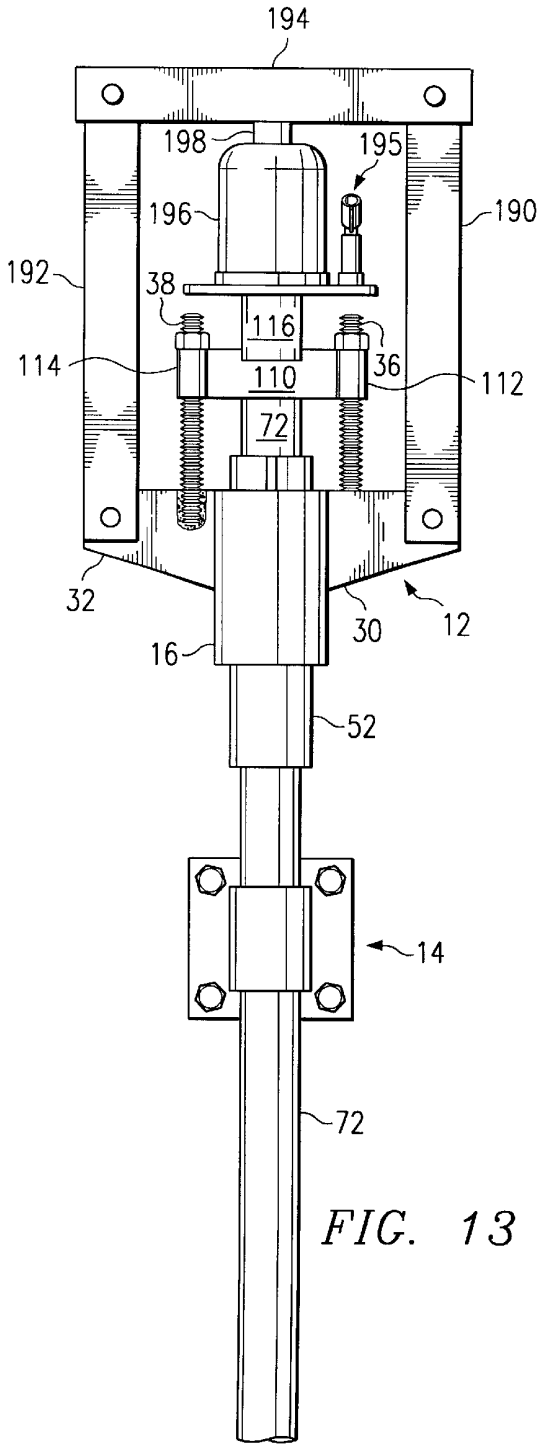
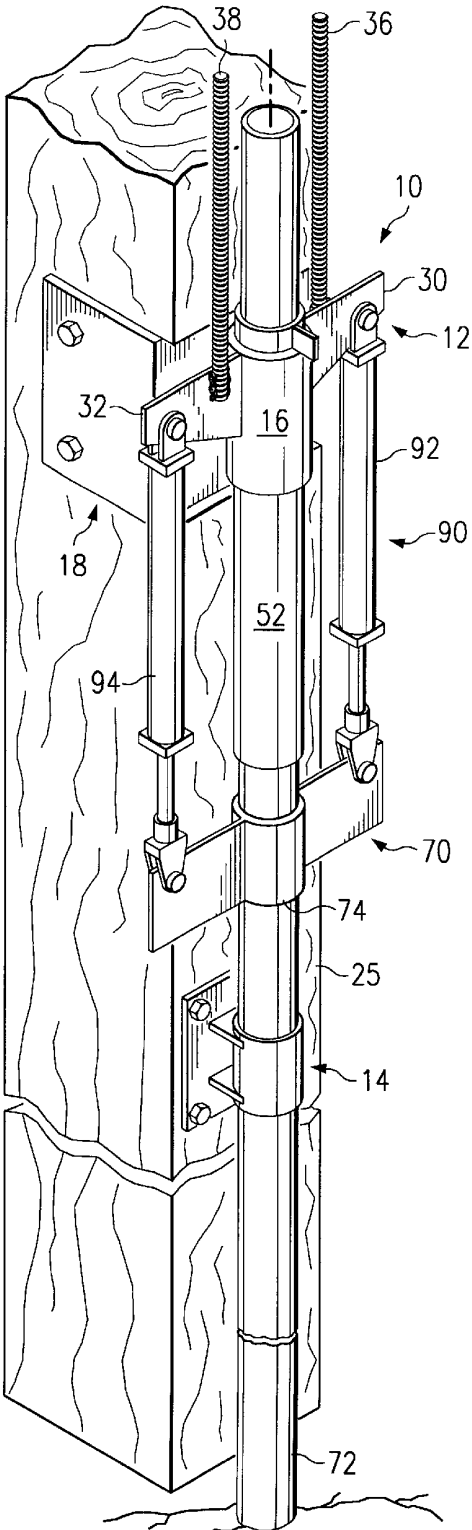


FIG. 14

