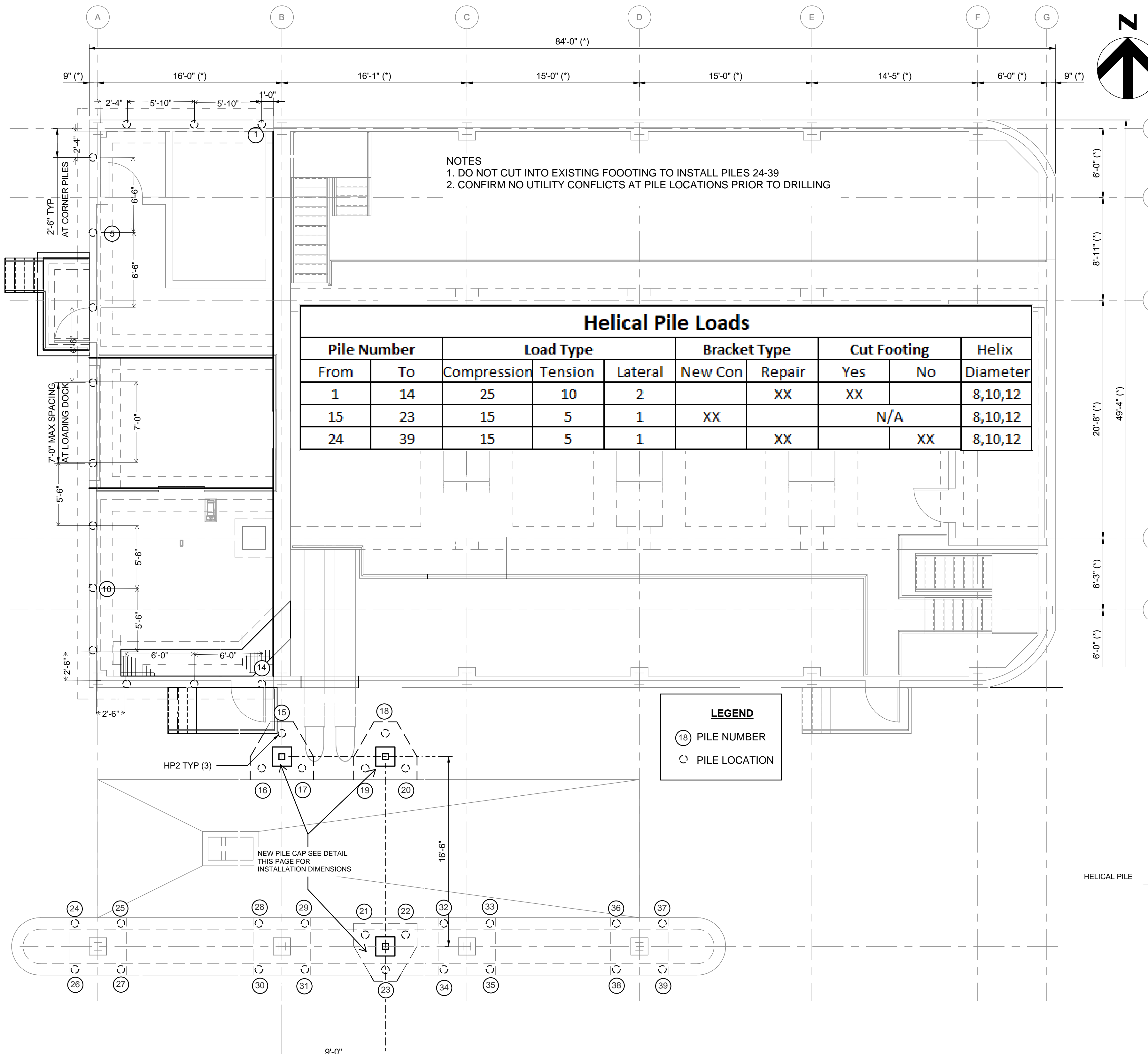


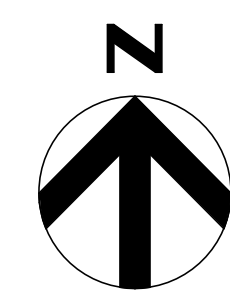
1 2 3 4 5 6 7 8



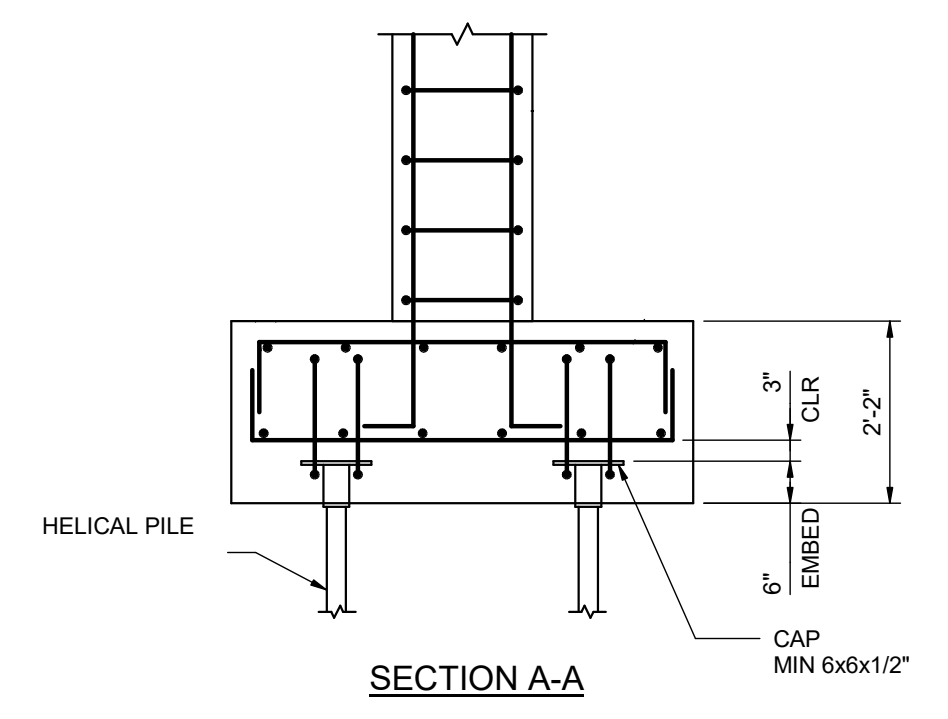
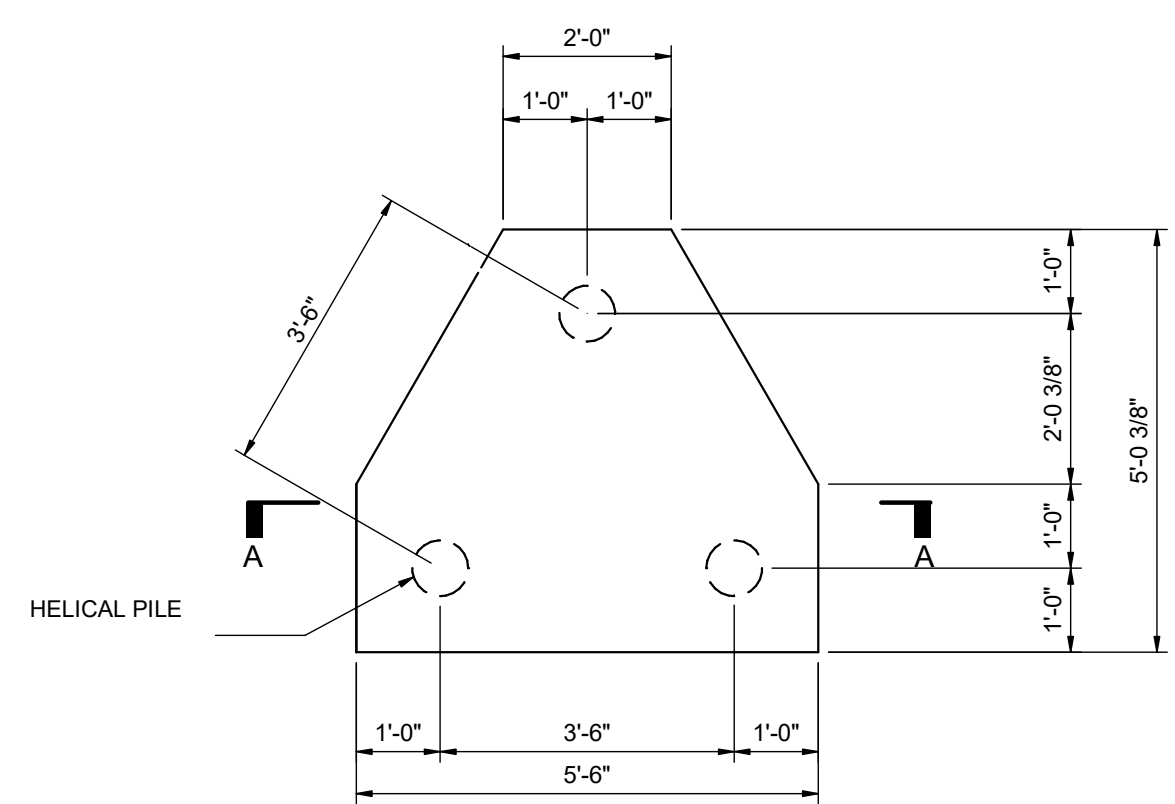
NOTES
 1. DO NOT CUT INTO EXISTING FOOTING TO INSTALL PILES 24-39
 2. CONFIRM NO UTILITY CONFLICTS AT PILE LOCATIONS PRIOR TO DRILLING

Helical Pile Loads									
Pile Number		Load Type			Bracket Type		Cut Footing		Helix
From	To	Compression	Tension	Lateral	New Con	Repair	Yes	No	Diameter
1	14	25	10	2		XX	XX		8,10,12
15	23	15	5	1	XX		N/A		8,10,12
24	39	15	5	1		XX		XX	8,10,12

LEGEND
 (18) PILE NUMBER
 ○ PILE LOCATION



PILE LAYOUT (PLAN VIEW)



UPPER LEVEL PLAN
 3/16" = 1'-0"

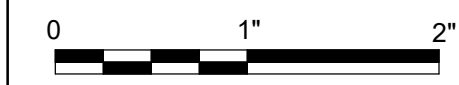
BIM 360/10250593_MAWSS_T006_Myers_Solids Handling_2020/10250593-10-S.rvt
 9/13/2021 11:56:21 AM



HDR Engineering, Inc.
 63 S. Royal Street, Suite 1202
 Mobile, AL 36602-3239
 Certificate of Authorization: CA-528-E

ISSUE	DATE	DESCRIPTION
	09/2021	ISSUED FOR BIDS

PROJECT MANAGER	HEATH E. HARDY, PE
DESIGNED BY	K. VILLELLA
CHECKED BY	V. PATEL
DRAWN BY	J. ARROYO
MAWSS PROJECT NO.	10170707
HDR PROJECT NO.	10250593



**DEWATERING BUILDING
 UPPER LEVEL PLAN**

FILENAME | 10250593-10-S.rvt
 SCALE | AS NOTED

SHEET
10S102